

- (A)** CL60 ROTARY SWITCH
- (B)** CONTACTOR
- (M)** CL60 MOTOR NOT AVAILABLE

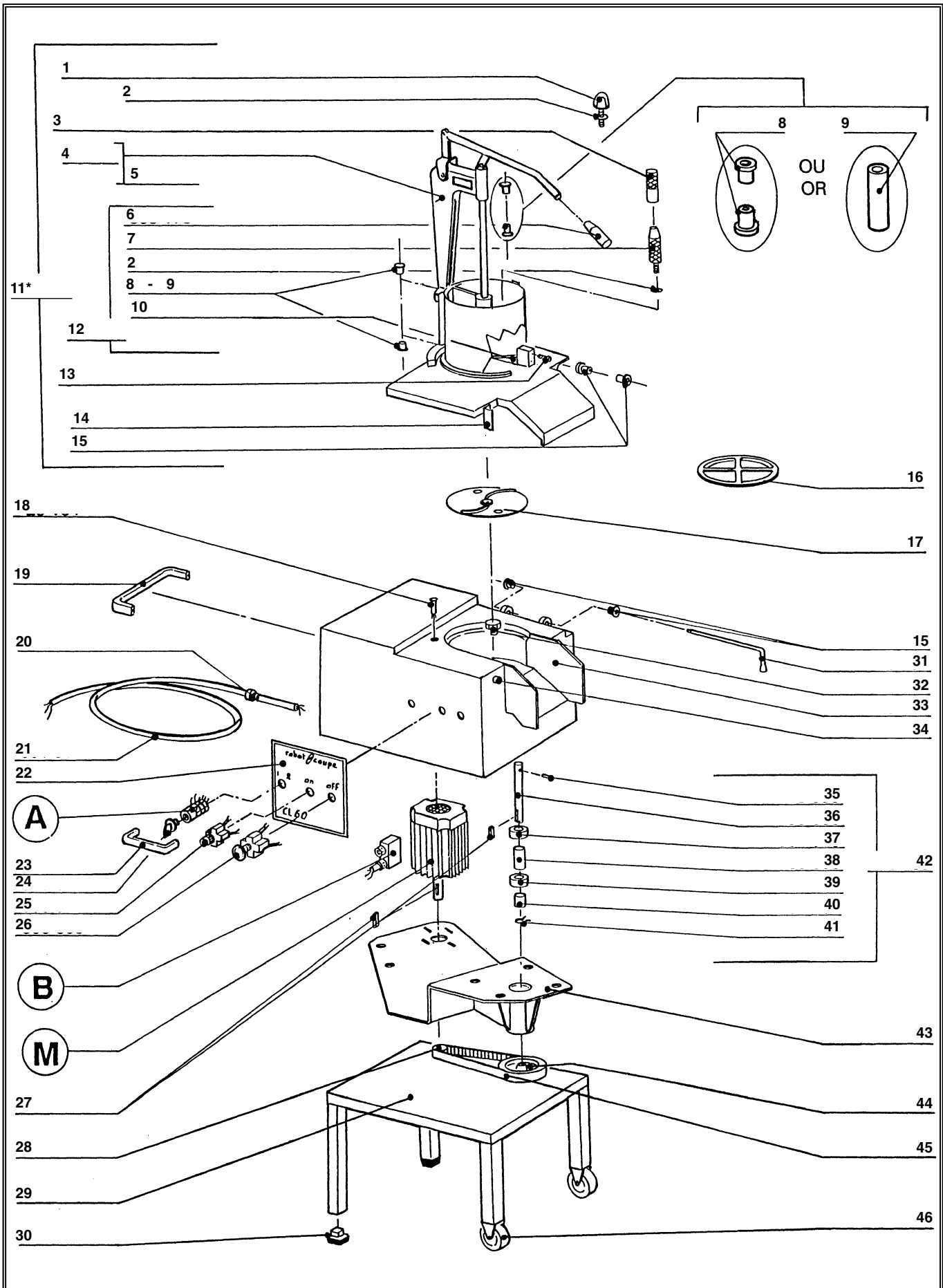
INDEX	REF.	DESIGNATION	Pricelist in : EUR
1	101126	CL60 DICER SUPPORT	34,55
2	100062	CL50A SLING PLATE	10,90
3	29164	CL60 REED SWITCH ASSEMBLY	8,90
4	500561	CL60 HANDLE	33,75
5	515515	CL60 CABLE GROMMET	3,45
6	501017	POWER CORD	29,05
7	400308	CL60 NAME PLATE	15,20
8	29220	CL60 SPEED PROCTECTOR HANDLE	16,80
9	500802	CL60 ROTARY SWITCH HANDLE	13,55
10	500322	GREEN KNOB	32,90
11	500300	CL50 RED SWITCH ASSEMBLY	31,85
12	203015	CL60 KEY	0,70
13	100869	CL60 MOTOR PULLEY	54,70
14	29519	SEATING ASS	707,95
15	100852	CL60 FOOT	12,85
16	101024	FEEDING TRAY	610,25
17	101055	HOPPER	433,15
18	101056	CL60 DISC LOCK/DHD	103,95
19	29058	CL60 HINGE BUSH KIT	6,25
20	29066	R501U LID LOCK CLAMP-NS	47,20
21	28018	AUTOMATIC FEED HEAD	See Price list
22	29058	CL60 HINGE BUSH KIT	6,25
23	29162	LOCKING ROD ASS	34,95
24	29160	CL60 MOTOR SEAL/SOCKET ASSEMBL	75,80
25	29239	FRAME ASS	1 139,15
26	100726	R501U LID LATCH HASP ASSEMBLY	3,70
27	110308	R501U SHAFT PIN MOTOR	2,00
28	100863	CL60 DRIVE SHAFT	186,80
29	504328	CL60 BEARING 6304 2RS	44,45
30	100866	CL60 BEARING BRACE	44,00
31	504328	CL60 BEARING 6304 2RS	44,45
32	100867	CL60 LOCKING BRACE	25,40
33	200008	CL60 CIRCLIP	2,05
34	29163	CL60 DRIVE SHAFT ASS/KIT	373,50
35	100862	CL60 MOTOR MOUNTING BRACKET	265,50
36	100868	CL60 DRIVE PULLEY	80,10
37	500845	BELT	50,05
38	503338	WHEEL	6,10

robot coupe

CL 60 Auto

Pricelist in : EUR

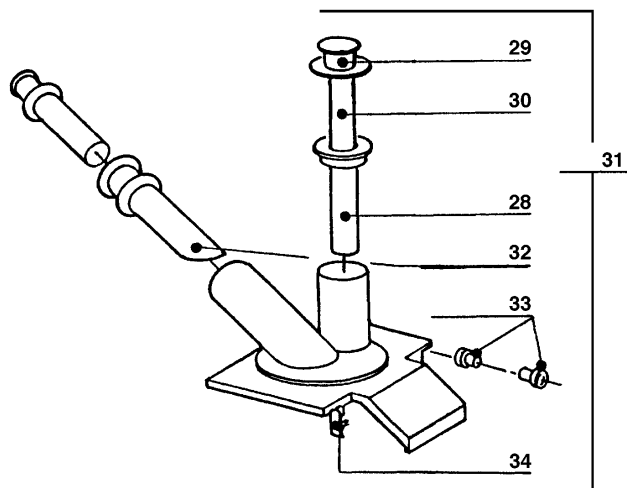
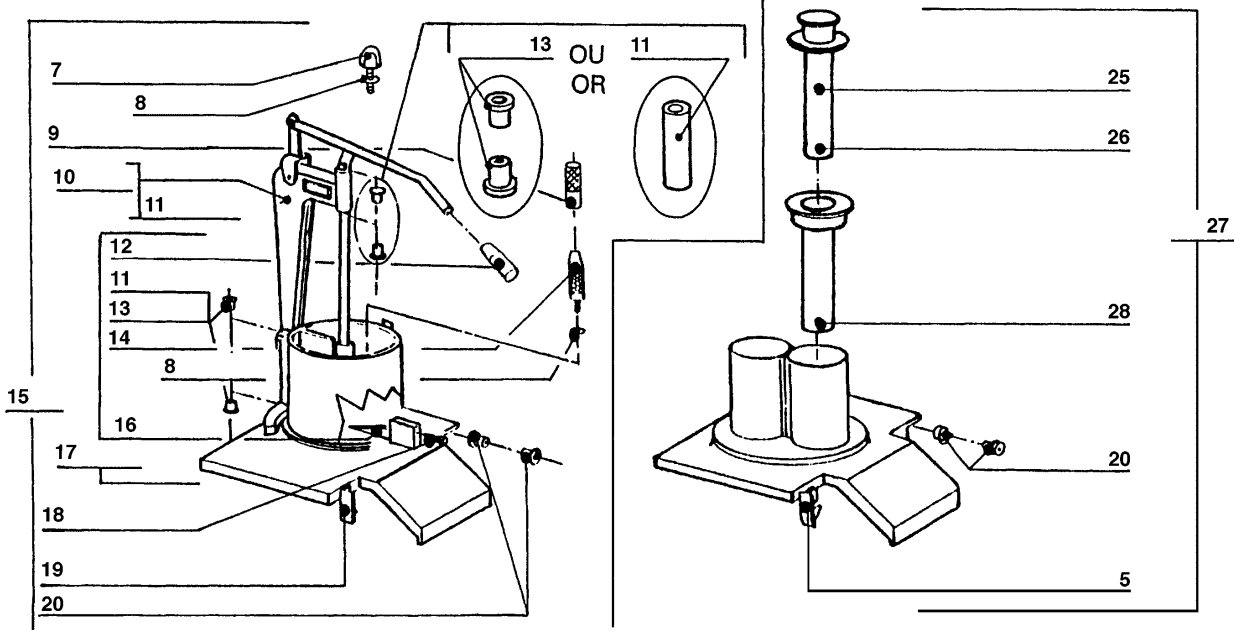
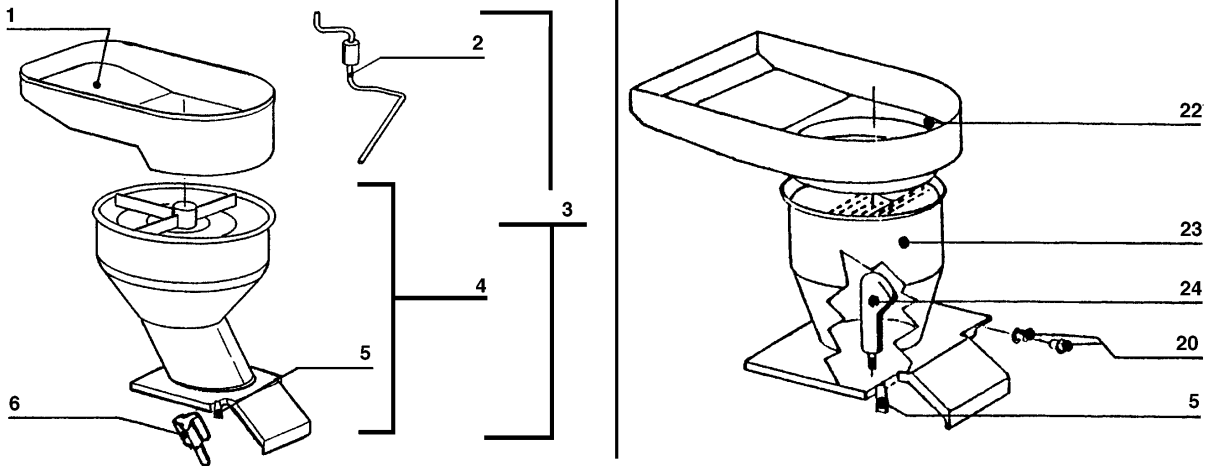
N°	M	Voltage	A	B	
24058	301007 781,15	380 / 50 / 3	500849 58,45	507650 76,65	
24059	301010 817,75	220-380 / 50 / 3	500902 106,50	507650 76,65	
24061	301009 781,15	220 / 60 / 3	500849 58,45	503888 54,45	



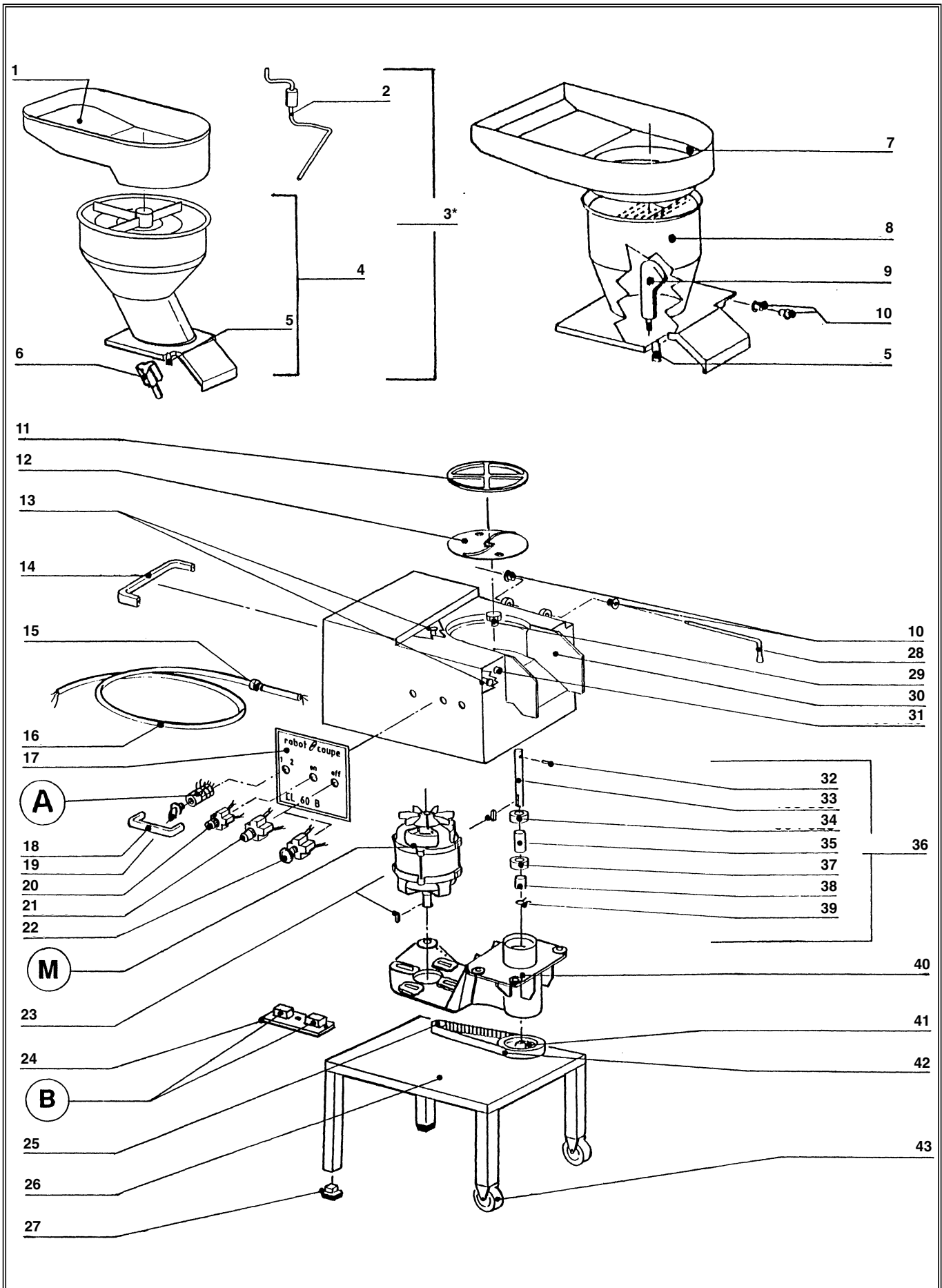
- (A)** CL60 ROTARY SWITCH
- (B)** CONTACTOR
- (M)** CL60 MOTOR NOT AVAILABLE

INDEX	REF.	DESIGNATION	Pricelist in : EUR
1	29187	CL60 CABBAGE HEAD CONE	41,55
2	117200	CL401 CONE WASHER	1,30
3	101205	UNLOCKING TOOL	44,00
4	29588	CL60 PUSHER GUIDE ARM	204,25
5	117280	CL60 CENTRING RING	11,00
6	509179	HANDLE	10,60
7	29156	CL55 METAL LOCKING CONE	61,55
8	101112	CL60 BUSH/C.F.HOPPER	0,65
9	117280	CL60 CENTRING RING	11,00
10	101128	CL55 HOPPER BLADE	44,00
11	28026	CL60 HOPPER-CONTROLLED FEED	Contact us
12	29186	PUSHER LEVEL ASS	732,35
13	200178	CL60 SCREW TF/90 4x20	0,10
14	29066	R501U LID LOCK CLAMP-NS	47,20
15	29058	CL60 HINGE BUSH KIT	6,25
16	101126	CL60 DICER SUPPORT	34,55
17	100062	CL50A SLING PLATE	10,90
18	29164	CL60 REED SWITCH ASSEMBLY	8,90
19	500561	CL60 HANDLE	33,75
20	515515	CL60 CABLE GROMMET	3,45
21	501017	POWER CORD	29,05
22	400308	CL60 NAME PLATE	15,20
23	29220	CL60 SPEED PROTECTOR HANDLE	16,80
24	500802	CL60 ROTARY SWITCH HANDLE	13,55
25	500322	GREEN KNOB	32,90
26	500300	CL50 RED SWITCH ASSEMBLY	31,85
27	203015	CL60 KEY	0,70
28	100869	CL60 MOTOR PULLEY	54,70
29	29519	SEATING ASS	707,95
30	100852	CL60 FOOT	12,85
31	29162	LOCKING ROD ASS	34,95
32	29160	CL60 MOTOR SEAL/SOCKET ASSEMBL	75,80
33	29239	FRAME ASS	1 139,15
34	100726	R501U LID LATCH HASP ASSEMBLY	3,70
35	110308	R501U SHAFT PIN MOTOR	2,00
36	100863	CL60 DRIVE SHAFT	186,80
37	504328	CL60 BEARING 6304 2RS	44,45
38	100866	CL60 BEARING BRACE	44,00
39	504328	CL60 BEARING 6304 2RS	44,45
40	100867	CL60 LOCKING BRACE	25,40
41	200008	CL60 CIRCLIP	2,05
42	29163	CL60 DRIVE SHAFT ASS/KIT	373,50
43	100862	CL60 MOTOR MOUNTING BRACKET	265,50
44	100868	CL60 DRIVE PULLEY	80,10
45	500845	BELT	50,05
46	503338	WHEEL	6,10

N°	M	Voltage	A	B	
24062	301007 781,15	380 / 50 / 3	500849 58,45	507650 76,65	
24063	301010 817,75	220-380 / 50 / 3	500902 106,50	507650 76,65	
24065	301009 781,15	220 / 60 / 3	500849 58,45	503888 54,45	



INDEX	REF.	DESIGNATION	Pricelist in : EUR
1	117774	CL60 (D) FOOD TRAY	610,25
2	117775	CRANK	51,00
3	28098	FEED HEAD ASS	Contact us
4	28038	GOULOTTE AUTO S/PLATEAU	Contact us
5	29066	R501U LID LOCK CLAMP-NS	47,20
6	117777	CL60 BFH CONE	24,00
7	29187	CL60 CABBAGE HEAD CONE	41,55
8	117200	CL401 CONE WASHER	1,30
9	101205	UNLOCKING TOOL	44,00
10	29588	CL60 PUSHER GUIDE ARM	204,25
11	117280	CL60 CENTRING RING	11,00
12	509179	HANDLE	10,60
13	101112	CL60 BUSH/C.F.HOPPER	0,65
14	29156	CL55 METAL LOCKING CONE	61,55
15	28026	CL60 HOPPER-CONTROLLED FEED	Contact us
16	101128	CL55 HOPPER BLADE	44,00
17	29186	PUSHER LEVEL ASS	732,35
18	200178	CL60 SCREW TF/90 4x20	0,10
19	29066	R501U LID LOCK CLAMP-NS	47,20
20	29058	CL60 HINGE BUSH KIT	6,25
22	101024	FEEDING TRAY	610,25
23	101055	HOPPER	433,15
24	101056	CL60 DISC LOCK/DHD	103,95
25	101263	CL60 50MM PUSHER NEW STYLE	122,15
26	101279	CL60 75MM PUSHER NEW STYLE	122,15
27	28025	CL60 HOPPER-2 HOLE FEED	See Price list
28	101417	STRAIGHT INSERT D50	134,35
29	101263	CL60 50MM PUSHER NEW STYLE	122,15
30	101278	PUSHER D70	122,15
31	28015	CL60 BIAS FEED HOPPER	See Price list
32	101415	BIAIS INSERT D50	137,20
33	100061	CL50A HINGE BUSH	1,55
34	100725	CL50A CLINCH CLIP	14,40



- (A)** CL60 ROTARY SWITCH
- (B)** CONTACTOR
- (M)** MOTOR

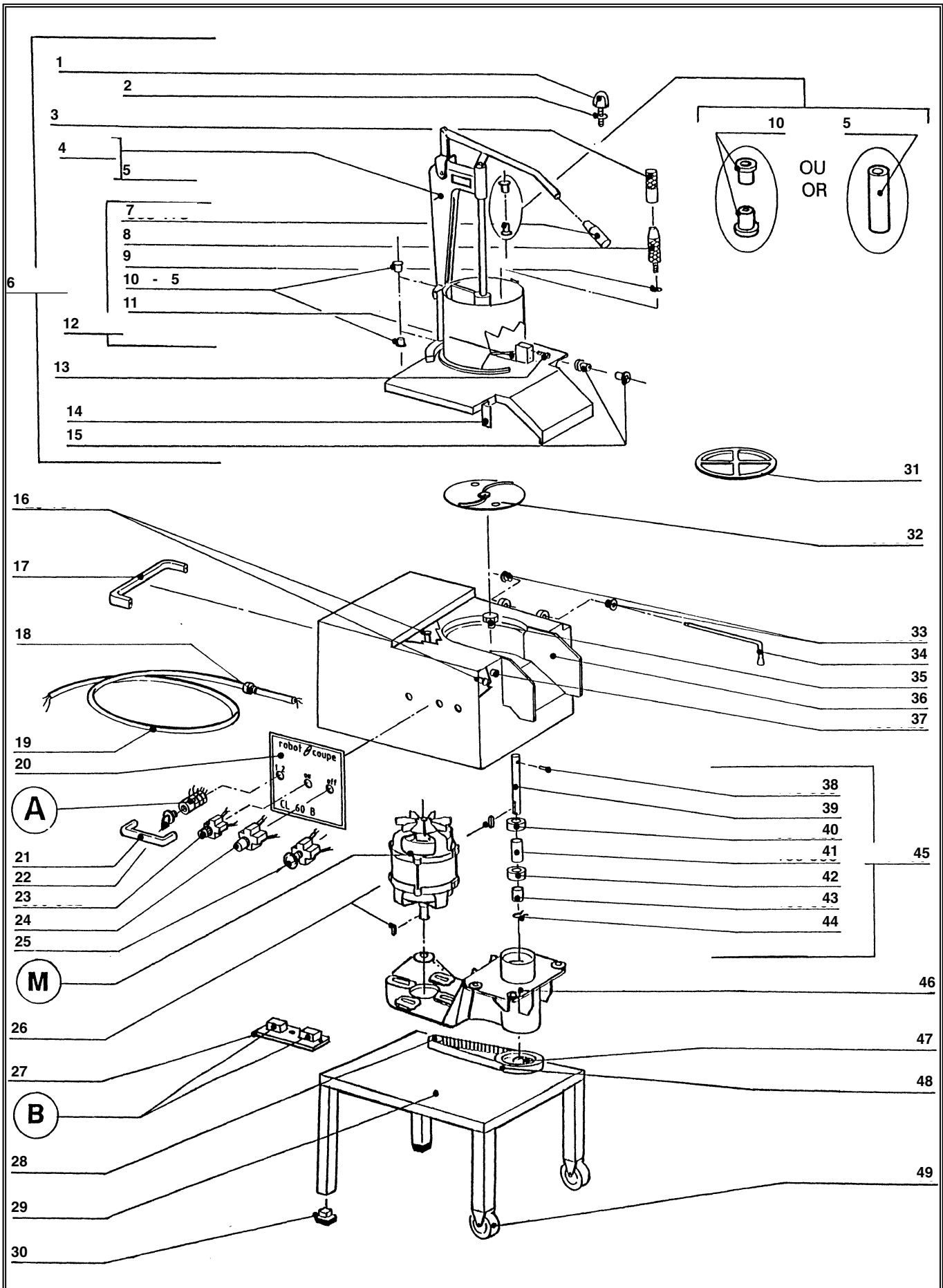
INDEX	REF.	DESIGNATION	Pricelist in : EUR
1	117774	CL60 (D) FOOD TRAY	610,25
2	117775	CRANK	51,00
3	28098	FEED HEAD ASS	Contact us
4	29569		Contact us
5	29066	R501U LID LOCK CLAMP-NS	47,20
6	117777	CL60 BFH CONE	24,00
7	101024	FEEDING TRAY	610,25
8	101055	HOPPER	433,15
9	101056	CL60 DISC LOCK/DHD	103,95
10	29058	CL60 HINGE BUSH KIT	6,25
11	101126	CL60 DICER SUPPORT	34,55
12	100062	CL50A SLING PLATE	10,90
13	29254	CL60 REED SWITCH	11,70
14	500561	CL60 HANDLE	33,75
15	515515	CL60 CABLE GROMMET	3,45
16	501017	POWER CORD	29,05
17	400308	CL60 NAME PLATE	15,20
18	29220	CL60 SPEED PROCTECTOR HANDLE	16,80
19	500802	CL60 ROTARY SWITCH HANDLE	13,55
20	500322	GREEN KNOB	32,90
21	500321	RED KNOB	32,90
22	500300	CL50 RED SWITCH ASSEMBLY	31,85
23	203015	CL60 KEY	0,70
24	117613	CONTACTOR SUPPORT	17,75
25	100869	CL60 MOTOR PULLEY	54,70
26	29519	SEATING ASS	707,95
27	100852	CL60 FOOT	12,85
28	29061	CL50A HINGE PIN	18,65
29	29160	CL60 MOTOR SEAL/SOCKET ASSEMBL	75,80
30	29239	FRAME ASS	1 139,15
31	100726	R501U LID LATCH HASP ASSEMBLY	3,70
32	110308	R501U SHAFT PIN MOTOR	2,00
33	100863	CL60 DRIVE SHAFT	186,80
34	504328	CL60 BEARING 6304 2RS	44,45
35	100866	CL60 BEARING BRACE	44,00
36	29163	CL60 DRIVE SHAFT ASS/KIT	373,50
37	504328	CL60 BEARING 6304 2RS	44,45
38	100867	CL60 LOCKING BRACE	25,40
39	200008	CL60 CIRCLIP	2,05
40	117647	MECHANICAL SUPPORT ASS	251,75
41	100868	CL60 DRIVE PULLEY	80,10
42	500845	BELT	50,05
43	503338	WHEEL	6,10

robot coupe®

CL 60 "B" Auto

Pricelist in : EUR

N°	M	Voltage	A	B	
2832 Goulo	301010 817,75	230-400 / 50 / 3	500902 106,50	507650 76,65	
2833 Goulo	303029 781,15	400 / 50 / 3	500849 58,45	507650 76,65	
2835	303030 781,15	220 / 60 / 3	500849 58,45	503888 54,45	
2836	302083 871,80	380 / 60 / 3	500849 58,45	503921 55,25	
2964	301010 817,75	220-380 / 50 / 3	500902 106,50	507650 76,65	
2965	303029 781,15	380 / 50 / 3	500849 58,45	507650 76,65	
2967	303030 781,15	220 / 60 / 3	500849 58,45	503888 54,45	
2973	302083 871,80	380 / 60 / 3	500849 58,45	503921 55,25	



- (A)** CL60 ROTARY SWITCH
- (B)** CONTACTOR
- (M)** MOTOR

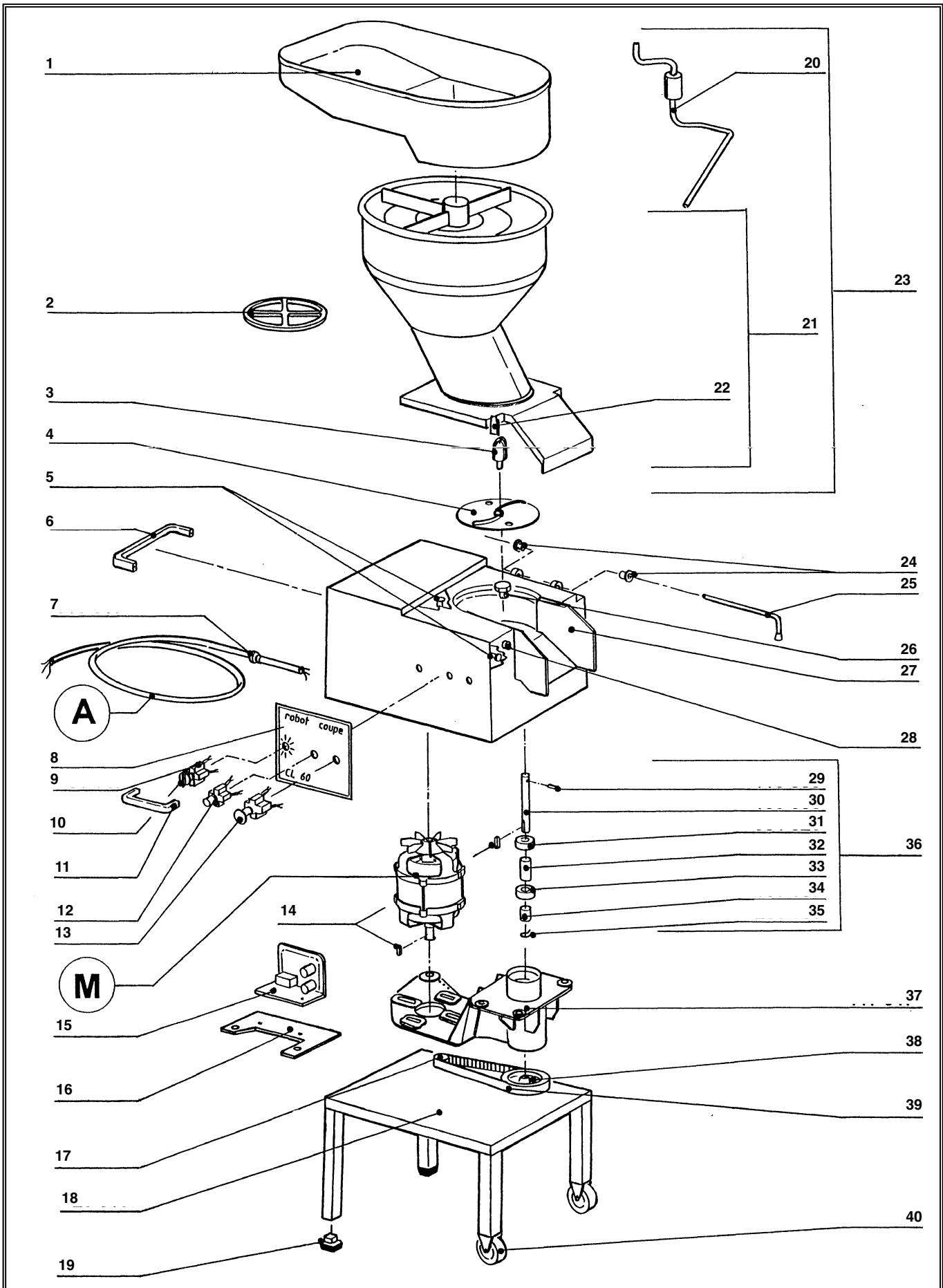
INDEX	REF.	DESIGNATION	Pricelist in : EUR
1	29187	CL60 CABBAGE HEAD CONE	41,55
2	117200	CL401 CONE WASHER	1,30
3	101205	UNLOCKING TOOL	44,00
4	29588	CL60 PUSHER GUIDE ARM	204,25
5	117280	CL60 CENTRING RING	11,00
6	28026	CL60 HOPPER-CONTROLLED FEED	Contact us
7	509179	HANDLE	10,60
8	29156	CL55 METAL LOCKING CONE	61,55
9	117200	CL401 CONE WASHER	1,30
10	101112	CL60 BUSH/C.F.HOPPER	0,65
11	101128	CL55 HOPPER BLADE	44,00
12	29186	PUSHER LEVEL ASS	732,35
13	200178	CL60 SCREW TF/90 4x20	0,10
14	29066	R501U LID LOCK CLAMP-NS	47,20
15	29058	CL60 HINGE BUSH KIT	6,25
16	29164	CL60 REED SWITCH ASSEMBLY	8,90
17	500561	CL60 HANDLE	33,75
18	515515	CL60 CABLE GROMMET	3,45
19	501017	POWER CORD	29,05
20	400308	CL60 NAME PLATE	15,20
21	29220	CL60 SPEED PROCTECTOR HANDLE	16,80
22	500802	CL60 ROTARY SWITCH HANDLE	13,55
23	500322	GREEN KNOB	32,90
24	500321	RED KNOB	32,90
25	500300	CL50 RED SWITCH ASSEMBLY	31,85
26	203015	CL60 KEY	0,70
27	117613	CONTACTOR SUPPORT	17,75
28	100869	CL60 MOTOR PULLEY	54,70
29	29519	SEATING ASS	707,95
30	100852	CL60 FOOT	12,85
31	101126	CL60 DICER SUPPORT	34,55
32	100062	CL50A SLING PLATE	10,90
33	29058	CL60 HINGE BUSH KIT	6,25
34	29061	CL50A HINGE PIN	18,65
35	29160	CL60 MOTOR SEAL/SOCKET ASSEMBL	75,80
36	100851	CL60 TOP CASE	1 074,05
37	100726	R501U LID LATCH HASP ASSEMBLY	3,70
38	110308	R501U SHAFT PIN MOTOR	2,00
39	100863	CL60 DRIVE SHAFT	186,80
40	504328	CL60 BEARING 6304 2RS	44,45
41	100866	CL60 BEARING BRACE	44,00
42	504328	CL60 BEARING 6304 2RS	44,45
43	100867	CL60 LOCKING BRACE	25,40
44	200008	CL60 CIRCLIP	2,05
45	29163	CL60 DRIVE SHAFT ASS/KIT	373,50
46	117647	MECHANICAL SUPPORT ASS	251,75
47	100868	CL60 DRIVE PULLEY	80,10
48	500845	BELT	50,05
49	503338	WHEEL	6,10

robot coupe

CL 60 "B" Levier

Pricelist in : EUR

N°	M	Voltage	A	B	
2960	301010 817,75	220-380 / 50 / 3	500902 106,50	507650 76,65	
2961	303029 781,15	380 / 50 / 3	500849 58,45	507650 76,65	
2963	303030 781,15	220 / 60 / 3	500849 58,45	503888 54,45	
2972	302083 871,80	380 / 60 / 3	500849 58,45	507650 76,65	



(A) 3X1,5² UK POWER CORD

(M) MOTOR

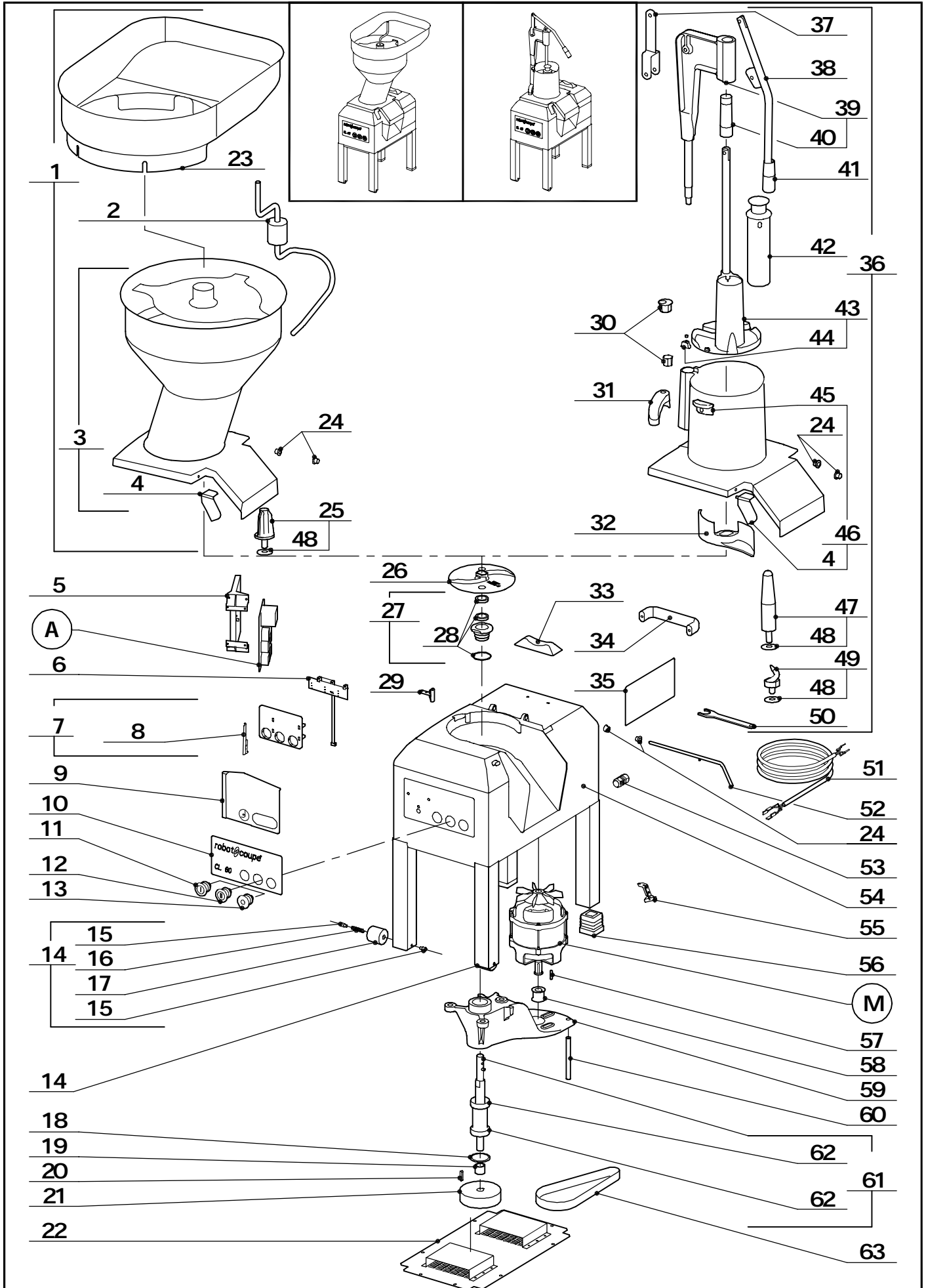
INDEX	REF.	DESIGNATION	Pricelist in : EUR
1	117774	CL60 (D) FOOD TRAY	610,25
2	101126	CL60 DICER SUPPORT	34,55
3	117777	CL60 BFH CONE	24,00
4	100062	CL50A SLING PLATE	10,90
5	29254	CL60 REED SWITCH	11,70
6	500561	CL60 HANDLE	33,75
7	515515	CL60 CABLE GROMMET	3,45
8	400708	CL60D V.V. FRONT PLATE	15,20
9	501947	R602VV SPEED SWITCH BLOCK	55,45
10	117073	R602VV SWITCH HANDLE	7,70
11	29220	CL60 SPEED PROCTECTOR HANDLE	16,80
12	500322	GREEN KNOB	32,90
13	500321	RED KNOB	32,90
14	203015	CL60 KEY	0,70
15	117590	R602VV VARIATOR N/S	694,35
16	117725	VARIATOR FIXING PLATE	19,15
17	100869	CL60 MOTOR PULLEY	54,70
18	29519	SEATING ASS	707,95
19	100852	CL60 FOOT	12,85
20	117775	CRANK	51,00
21	29569		Contact us
22	29066	R501U LID LOCK CLAMP-NS	47,20
23	29098	BASE ASS	566,45
24	29058	CL60 HINGE BUSH KIT	6,25
25	29061	CL50A HINGE PIN	18,65
26	29160	CL60 MOTOR SEAL/SOCKET ASSEMBL	75,80
28	100726	R501U LID LATCH HASP ASSEMBLY	3,70
29	110308	R501U SHAFT PIN MOTOR	2,00
30	100863	CL60 DRIVE SHAFT	186,80
31	504328	CL60 BEARING 6304 2RS	44,45
32	100866	CL60 BEARING BRACE	44,00
33	504328	CL60 BEARING 6304 2RS	44,45
34	100867	CL60 LOCKING BRACE	25,40
35	200008	CL60 CIRCLIP	2,05
36	29163	CL60 DRIVE SHAFT ASS/KIT	373,50
37	117647	MECHANICAL SUPPORT ASS	251,75
38	100868	CL60 DRIVE PULLEY	80,10
39	500845	BELT	50,05
40	503338	WHEEL	6,10

robot coupe

CL 60 "B" V.V.

Pricelist in : EUR

N°	M	Voltage	A	
2996	303031 817,75	220-240 / 50 / 1	502688 12,10	



(A) CL60 (D) PCB 415V 50HZ

(M) (Q) Motor 220/60/3, CL60D

INDEX	REF.	DESIGNATION	Pricelist in : EUR
1	28108	CL60D ST. STEEL AUTOMATIC FEED HEAD	See Price list
1	28108	CL60D ST. STEEL AUTOMATIC FEED HEAD	See Price list
2	117775	CRANK	51,00
2	117775	CRANK	51,00
3	29928	CL60D AUTOMATIC FEED HEAD ASSY	819,40
3	29928	CL60D AUTOMATIC FEED HEAD ASSY	819,40
4	29925	CL60 (D) LID LATCH ASSEMBLY	52,90
4	29925	CL60 (D) LID LATCH ASSEMBLY	52,90
5	117809	R502 PCB MOUNTING	5,10
5	117809	R502 PCB MOUNTING	5,10
6	117813	BLIXER 5 PLUS SWITCH CONTROL PCB 415V	21,65
6	117813	BLIXER 5 PLUS SWITCH CONTROL PCB 415V	21,65
7	29533	MOUNT SPACER FOR PCB	11,95
7	29533	MOUNT SPACER FOR PCB	11,95
8	117703	R301U (C) PCB KEY	0,55
8	117703	R301U (C) PCB KEY	0,55
9	118586	CL60D PCB SUPPORT	24,30
10	407092	CL60D FRONT PLATE	15,15
11	502170	CL60 (D) GREEN LOW SPEED SWITCH TOP	12,45
12	503268	CL60 (D) GREEN HIGH SPEED SWITCH TOP	12,40
13	502169	CL60 (D) RED SWITCH TOP	12,45
14	29908	Wheel Assembly, CL60D	14,00
15	118566	CL60D WHEEL AXLE	2,95
16	118567	CL60D WHEEL SPRING	1,65
17	118565	CL60D WHEEL	10,90
18	200008	CL60 CIRCLIP	2,05
19	118584	CL60D SPACER REC PULLEY	8,10
20	203157	KEY 6X6X30	2,05
21	118585	CL60D DRIVEN PULLEY	80,00
22	118550	CL60D BOTTOM PLATE	77,85
23	117774	CL60 (D) FOOD TRAY	610,25
24	29058	CL60 HINGE BUSH KIT	6,25
25	117777	CL60 BFH CONE	24,00
26	102690	CL50 D SLING PLATE	10,90
27	29907	Sealing Socket Assy CL60D	64,50
28	29906	Seal Assy CL60D	9,85
29	29451	CL50D REED SWITCH	13,75
30	29926	Plastic Bushing Assy, CL60D	11,45
31	29705	CL55 (D) MAGNET HOLDER	38,30
32	118420	D VERSION CABBAGE EJECTION PADDLE	11,30
33	39087	Rubber Lid Stop, CL60D	22,70
34	500561	CL60 HANDLE	33,75
35	407295	(Q) Discs Plate, CL60D	15,15
36	28104	CL60D PUSHER FEED HEAD	See Price list
37	103205	CL55 (D) PIVOT ARM HINGE	44,65
38	29710	CL55D LEVER ASSEMBLY	88,40
39	118335	CL60 (D) PUSHER GUIDE ARM	203,80
40	118331	CL55 (D) PUSHER GUIDE BUSH	2,15
41	509200	(Q) Plastic Handle, CL60D	10,60
42	118397	CL55D PUSHER DIAM.60	37,35
43	118333	(Q) Alum. Pusher, CL60D	114,60
44	29706	CL55 PUSHER STOP ASS	7,70
45	117321	CL55 (D) ANTI FRICTION STOP	1,35
46	29929	CL60 (D) VEGETABLE LID	280,40
47	29156	CL55 METAL LOCKING CONE	61,55
48	117200	CL401 CONE WASHER	1,30
49	29692	CL55 CABBAGE HEAD LOCKING HEAD CONE	41,55
50	118436	CL52 SPANNER	8,85
51	503272	CL60D POWER CORD	29,00

INDEX	REF.	DESIGNATION	Pricelist in : EUR
52	118582	CL60 (D) HINGE PIN	Contact us
53	39071	STOP POWER CORD	11,60
54	29924	CL60D MOT HOUSING FRAME	1 494,45
55	29914	CL60 (D) LID LATCH SWITCH ASSEMBLY	39,85
56	118527	CL60D RUBBER FOOT	12,85
57	203164	TF 5X20 SCREW	1,95
58	100869	CL60 MOTOR PULLEY	54,70
59	118529	CL60D MECHANICAL SUPPORT	251,20
60	203104	(Q) Supporting Screw, CL60D	1,65
61	29915	CL60 (D) SHAFT ASSEMBLY	372,65
62	504328	CL60 BEARING 6304 2RS	44,45
63	500845	BELT	50,05

robot coupe

CL 60 "D" Auto / Levier

Pricelist in : EUR

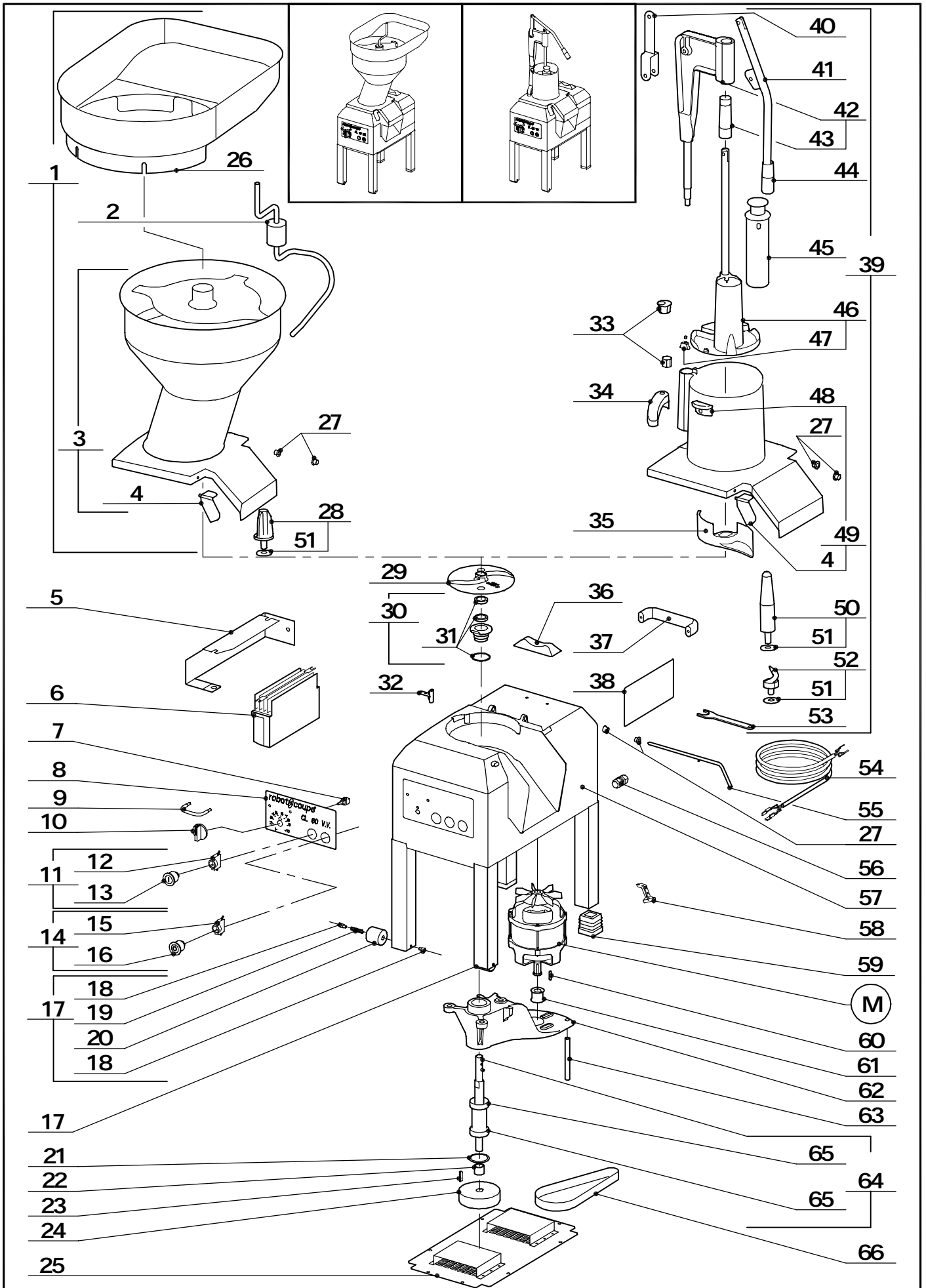
N°	M	Voltage	A	
2781 AUTO	303105 779,45	400 / 50 / 3	103700 127,55	
2782 AUTO	303107 779,45	380 / 60 / 3	103700 127,55	
2783 AUTO	303106 779,45	220 / 60 / 3	103700 127,55	
2784 AUTO	303108 828,95	230-400 / 50 / 3	113700 134,30	
2786 LEVIE	303105 779,45	400 / 50 / 3	103700 127,55	
2787 LEVIE	303107 779,45	380 / 60 / 3	103700 127,55	
2789 LEVIE	303108 828,95	230-400 / 50 / 3	113700 134,30	
2791 AUTO	303105 779,45	400 / 50 / 3	103700 127,55	
2792 AUTO	303107 779,45	380 / 60 / 3	103700 127,55	

robot coupe

CL 60 "D" Auto / Levier

Pricelist in : EUR

N°	M	Voltage	A	
2793 AUTO	303106 779,45	220 / 60 / 3	103700 127,55	
2794 AUTO	303108 828,95	230-400 / 50 / 3	113700 134,30	





CL60D VV MOTOR

INDEX	REF.	DESIGNATION	Pricelist in : EUR
1	28108	CL60D ST. STEEL AUTOMATIC FEED HEAD	See Price list
2	117775	CRANK	51,00
3	29928	CL60D AUTOMATIC FEED HEAD ASSY	819,40
4	29925	CL60 (D) LID LATCH ASSEMBLY	52,90
5	119126	VARIATOR SUP CL60D VV	40,05
6	501466	CL60D VARIATOR	692,85
7	501947	R602VV SPEED SWITCH BLOCK	55,45
8	407352	MP600 PACKAGING	15,15
9	29220	CL60 SPEED PROCTECTOR HANDLE	16,80
10	117073	R602VV SWITCH HANDLE	7,70
11	502174	R502/602 GREEN SWITCH TOP	31,85
12	500846	CONTACTS BLOC (SHUTING)	11,10
13	502170	CL60 (D) GREEN LOW SPEED SWITCH TOP	12,45
14	502173	R502/R602 RED SWITCH	31,85
15	500847	CONTACTS BLOC (OPENING)	11,10
16	502169	CL60 (D) RED SWITCH TOP	12,45
17	29908	Wheel Assembly, CL60D	14,00
18	118566	CL60D WHEEL AXLE	2,95
19	118567	CL60D WHEEL SPRING	1,65
20	118565	CL60D WHEEL	10,90
21	200008	CL60 CIRCLIP	2,05
22	118584	CL60D SPACER REC PULLEY	8,10
23	203157	KEY 6X6X30	2,05
24	118585	CL60D DRIVEN PULLEY	80,00
25	118550	CL60D BOTTOM PLATE	77,85
26	117774	CL60 (D) FOOD TRAY	610,25
27	29058	CL60 HINGE BUSH KIT	6,25
28	117777	CL60 BFH CONE	24,00
29	102690	CL50 D SLING PLATE	10,90
30	29907	Sealing Socket Assy CL60D	64,50
31	29906	Seal Assy CL60D	9,85
32	29451	CL50D REED SWITCH	13,75
33	29926	Plastic Bushing Assy, CL60D	11,45
34	29705	CL55 (D) MAGNET HOLDER	38,30
35	118420	D VERSION CABBAGE EJECTION PADDLE	11,30
36	39087	Rubber Lid Stop, CL60D	22,70
37	500561	CL60 HANDLE	33,75
38	407295	(Q) Discs Plate, CL60D	15,15
39	28104	CL60D PUSHER FEED HEAD	See Price list
40	103205	CL55 (D) PIVOT ARM HINGE	44,65
41	29710	CL55D LEVER ASSEMBLY	88,40
42	118335	CL60 (D) PUSHER GUIDE ARM	203,80
43	118331	CL55 (D) PUSHER GUIDE BUSH	2,15
44	509200	(Q) Plastic Handle, CL60D	10,60
45	118397	CL55D PUSHER DIAM.60	37,35
46	118333	(Q) Alum. Pusher, CL60D	114,60
47	29706	CL55 PUSHER STOP ASS	7,70
48	117321	CL55 (D) ANTI FRICTION STOP	1,35
49	29929	CL60 (D) VEGETABLE LID	280,40
50	29156	CL55 METAL LOCKING CONE	61,55
51	117200	CL401 CONE WASHER	1,30
52	29692	CL55 CABBAGE HEAD LOCKING HEAD CONE	41,55
53	118436	CL52 SPANNER	8,85
54	503481	CL60D VV POWER CORD	12,10
55	118582	CL60 (D) HINGE PIN	Contact us
56	39071	STOP POWER CORD	11,60
57	29924	CL60D MOT HOUSING FRAME	1 494,45
58	29914	CL60 (D) LID LATCH SWITCH ASSEMBLY	39,85
59	118527	CL60D RUBBER FOOT	12,85
60	203164	TF 5X20 SCREW	1,95
61	100869	CL60 MOTOR PULLEY	54,70

robot coupe®

CL 60 "D" V.V.

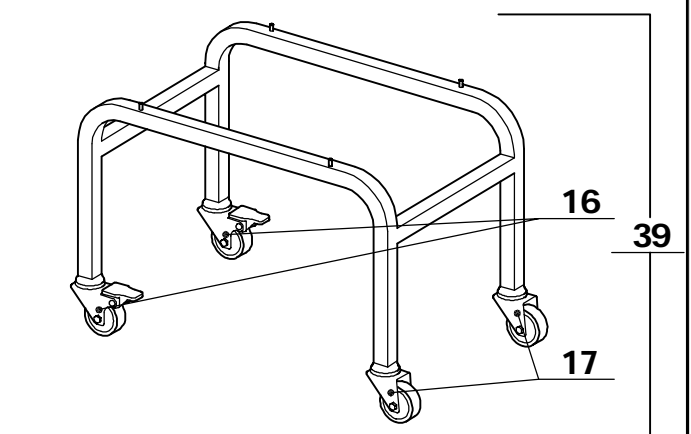
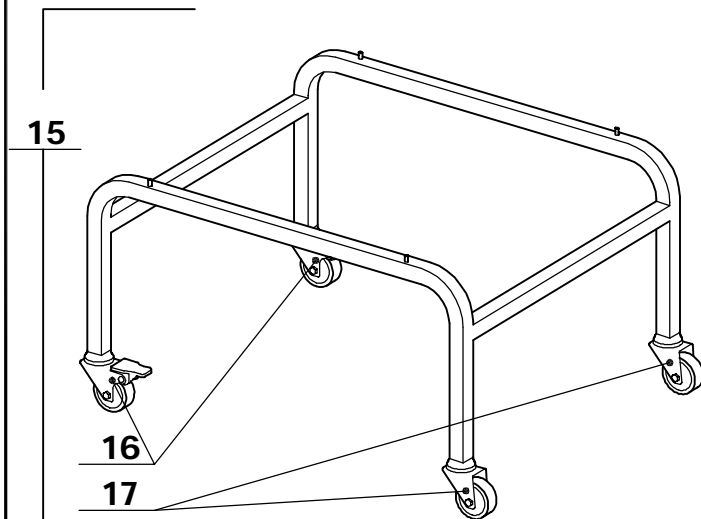
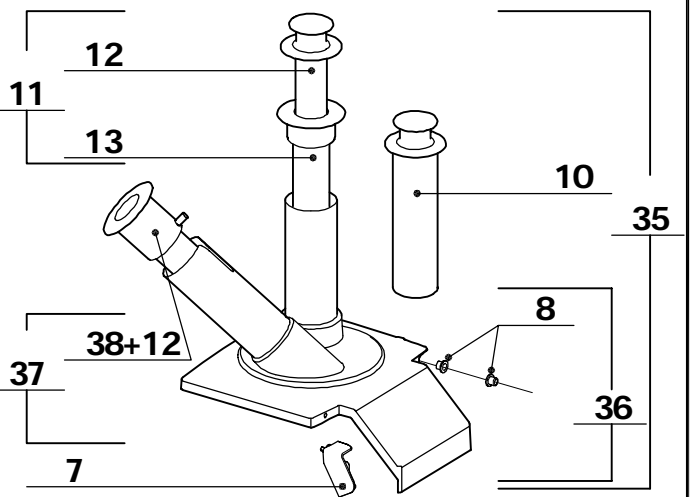
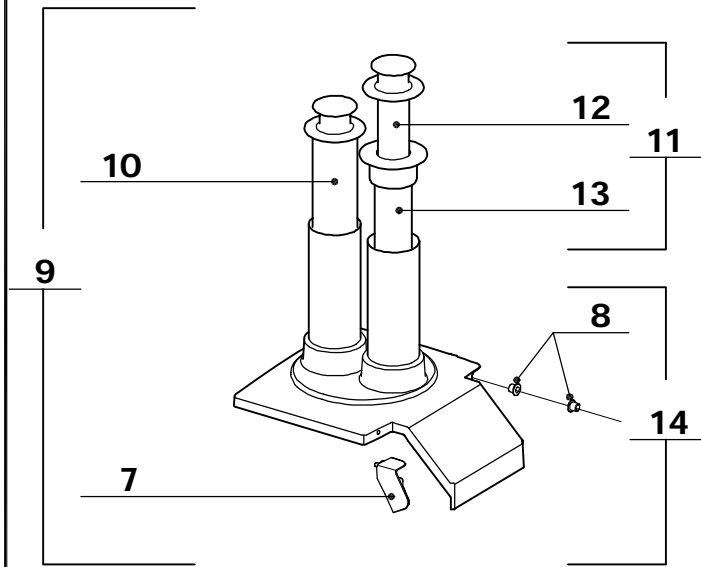
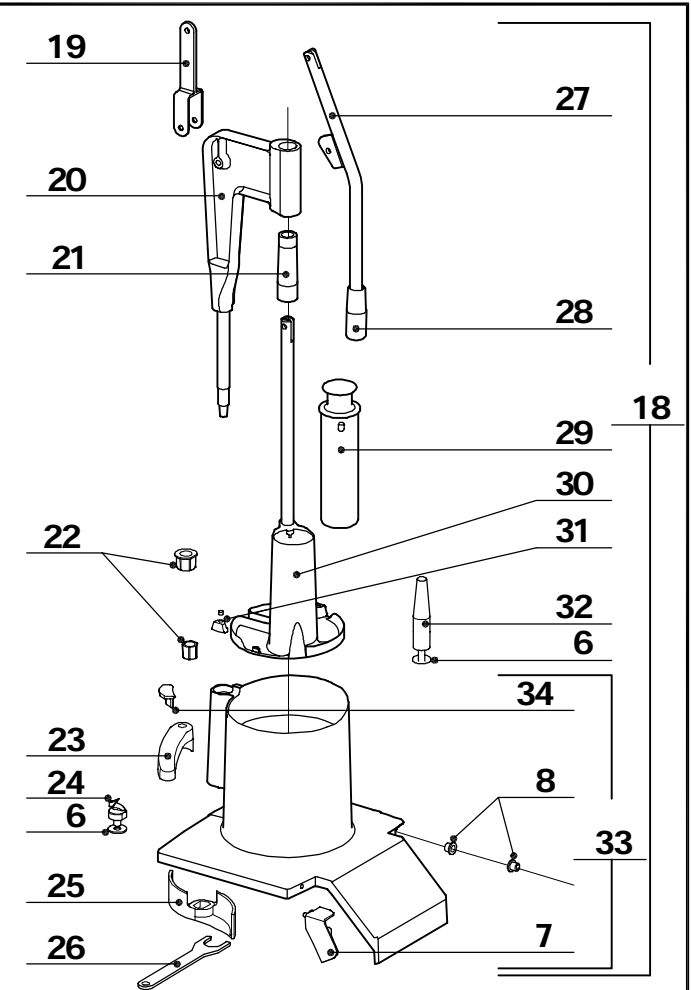
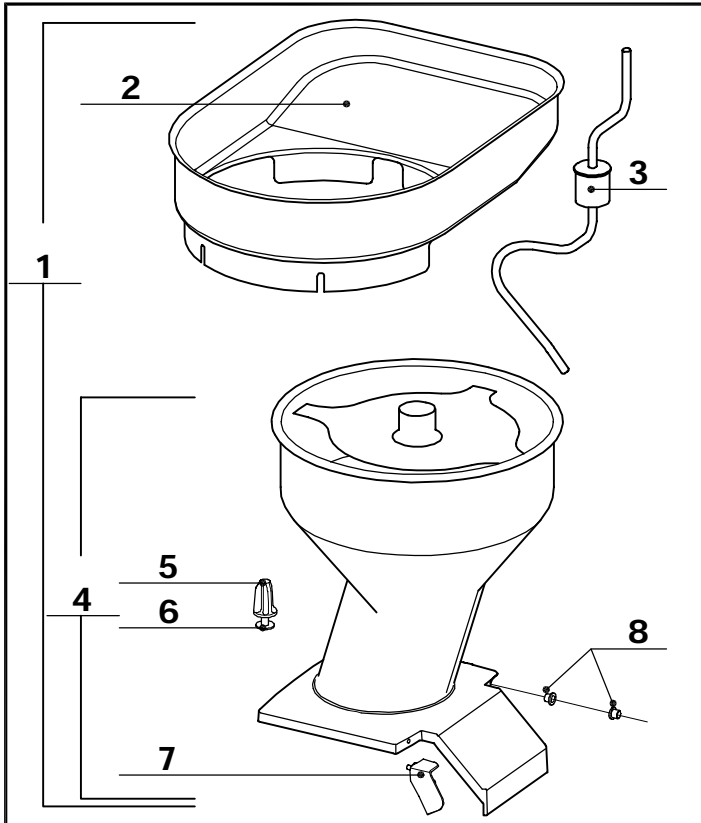
INDEX	REF.	DESIGNATION	Pricelist in : EUR
62	118529	CL60D MECHANICAL SUPPORT	251,20
63	203104	(Q) Supporting Screw, CL60D	1,65
64	29915	CL60 (D) SHAFT ASSEMBLY	372,65
65	504328	CL60 BEARING 6304 2RS	44,45
66	500845	BELT	50,05

robot coupe

CL 60 "D" V.V.

Pricelist in : EUR

N°	M	Voltage	
2785 AUTO	303112 816,00	230 / 50 / 1	
2790 LEVIE	303112 816,00	230 / 50 / 1	
2795 Auto	303112 816,00	230 / 50 / 1	
2894 Auto	303112 816,00	230 / 50 / 1	



INDEX	REF.	DESIGNATION	Pricelist in : EUR
1	28108	CL60D ST. STEEL AUTOMATIC FEED HEAD	See Price list
2	117774	CL60 (D) FOOD TRAY	610,25
3	117775	CRANK	51,00
4	29928	CL60D AUTOMATIC FEED HEAD ASSY	819,40
5	117777	CL60 BFH CONE	24,00
6	117200	CL401 CONE WASHER	1,30
7	29925	CL60 (D) LID LATCH ASSEMBLY	52,90
8	29058	CL60 HINGE BUSH KIT	6,25
9	28156	CL60D STRAIGHT & BIAIS CUT FEED HEAD	See Price list
10	101538	PUSHER D70	73,60
11	39090	STRAIGHT INSERT D50 ASSY	208,00
12	101539	PUSHER D50	63,80
13	101535	STRAIGHT INSER D50	147,15
14	39095	STRAIGHT TUBE LID ASSY	451,25
15	27185	CL60 ST STEEL TROLLEY 2/1	See Price list
16	504266	CL55D BRAKE ROLLER D60	112,85
17	504267	CL60D ROLLER D60	80,45
18	28104	CL60D PUSHER FEED HEAD	See Price list
19	103205	CL55 (D) PIVOT ARM HINGE	44,65
20	118335	CL60 (D) PUSHER GUIDE ARM	203,80
21	118331	CL55 (D) PUSHER GUIDE BUSH	2,15
22	29926	Plastic Bushing Assy, CL60D	11,45
23	29705	CL55 (D) MAGNET HOLDER	38,30
24	29692	CL55 CABBAGE HEAD LOCKING HEAD CONE	41,55
25	118420	D VERSION CABBAGE EJECTION PADDLE	11,30
26	118436	CL52 SPANNER	8,85
27	29710	CL55D LEVER ASSEMBLY	88,40
28	509200	(Q) Plastic Handle, CL60D	10,60
29	118397	CL55D PUSHER DIAM.60	37,35
30	29927	CL60D PUSHER ASSEMBLY	142,90
31	29706	CL55 PUSHER STOP ASS	7,70
32	29156	CL55 METAL LOCKING CONE	61,55
33	29929	CL60 (D) VEGETABLE LID	280,40
34	117321	CL55 (D) ANTI FRICTION STOP	1,35
35	28157	CL60D STRAIGHT HOLE FEED HEAD	See Price list
36	39096	BIAIS CUT FEED LID ASSY	Contact us
37	39091	TILTED INSERT D50 ASSY	176,60
38	101537	TILTED INSER D50	176,60
39	27056	CL60 ST STEEL TROLLEY 1/1	See Price list